

# PXJ Series

from 21 to 36 m

The GSR "PXJ" series is characterized by the exceptional strength and rigidity of the aerial platform and its simple and intuitive use. The high product quality and excellent performance parameters of the aerial platform with unrestricted outreach at full basket capacity are secured by applying traditional and reliable technical solutions, as well as special steels and boom profiles.

The combination of the telescopic boom with a double pantograph and a fly jib allows fast, versatile and flexible use at height. The outstanding features of this design are the maximum horizontal outreach at the highest point of the pantographs articulation and the possibility to keep the telescopic arm's outreach almost constant by moving only the pantograph vertically. With the fly jib, the user has a further movement available to place the working basket in the best position.

Protected internal hosing together with self-cleaning brushes fitted to the telescopic sections prevent dirt and debris entering the boom. The joysticks are housed for protection, robust and durable and allow the operator to perform all movements, even at full working height with smoothness and accuracy.

Outrigger controls allow for individual leg operation ensuring effective ground contact and levelling on uneven surfaces.

The machines can be fitted on the most popular vehicles starting from 7,5t. Different vehicle installations are possible by varying outrigger configurations and tailoring working envelopes to optimise each mounting.



GB



# PXJ Series



## Standard features include

- Fully proportional controls with joysticks
- Simultaneous and independent movements
- Telescopic cylinder mounted below the booms and internal stowed hoses for maximum protection
- Easy access to the basket
- Metal or fibreglass basket
- Automatic basket leveling
- Basket rotation
- Control panels protected against accidental collision
- Cleaning brushes on all telescopic boom sections
- Turret rotation on self braking slewing system
- Colour scheme white RAL 9010 for the aerial platform, black RAL 9011 for the cylinders
- Rectangular boom
- Antislip aluminium decking
- Vehicle engine start / stop from the basket
- Cabin protection

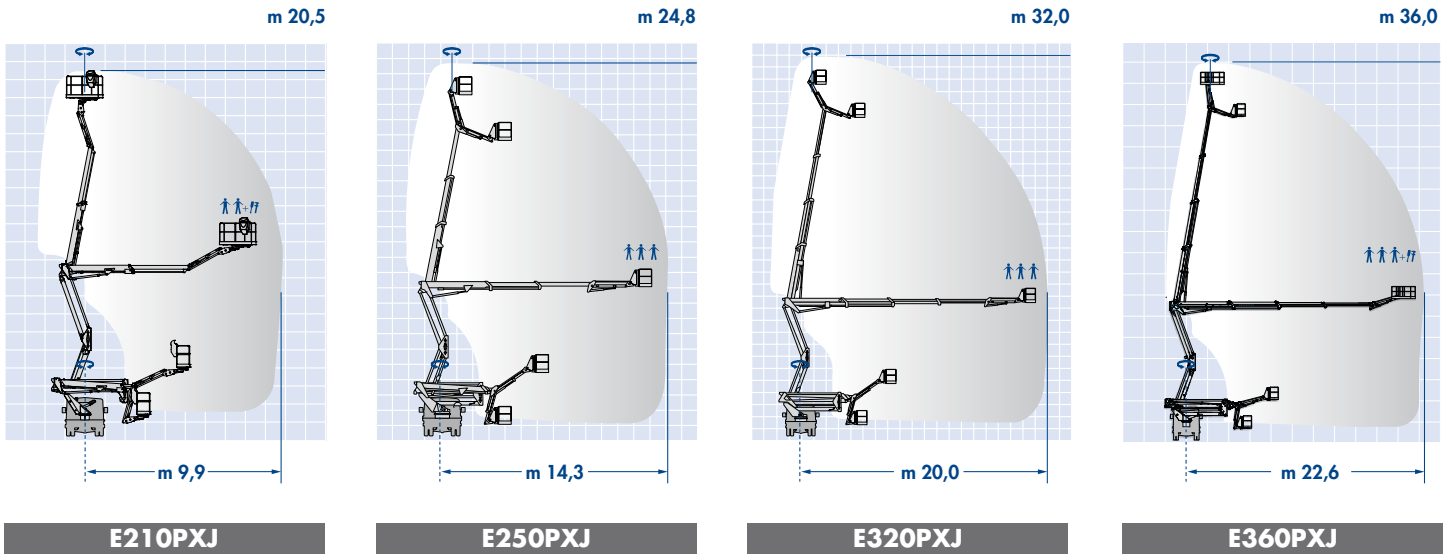
## Safety

- Outrigger / Boom interlocks
- Emergency stop at the basket and the ground control points
- Failsafe lock valves to all hydraulic cylinders
- Spirit level indicator
- Emergency controls located on the base
- Control lights in the cab indicating outriggers grounded and in stowed position
- Electric emergency pump (extra accessory for E210PXJ)
- Conformity declaration (CE)

## Extra accessories

- Hour meter connected to the power take-off of the vehicle
- 230/110V wiring to the basket
- Mains powered electric motor for engine-off use (switched from the ground)
- Rotating beacon
- Safety harness and lanyard
- Spotlight in the basket
- Special painting
- N. 4 steel outrigger pads
- N. 4 PVC outrigger pads
- Tool box under the decking
- Walk-In fibreglass basket (not on E210PXJ)
- Automatic self stabilization \*\*
- Complete ground controls with joysticks\*\*
- 1kV double insulation \*\*

Wide series of vehicle fittings and accessories available. For detailed information contact sales office.



MODEL	Working Height (m)*	Max. Outreach (m)*	Basket Capacity (kg)	Turret Rotation (°)	Basket Rotation (°)	JIB Articulation (°)	GVW min. (to)*
E210PXJ	20,5	9,9	250	450	90 + 80	130	3,5
E250PXJ	24,8	14,3	280	450	85 + 70	125	7,5
E320PXJ	32,0	20,0	280	365	85 + 70	125	12,2
E360PXJ	36,0	22,60	320	365	85 + 70	125	18,0

\* Depending on vehicle | \*\* on E320PXJ and E360PXJ



GSR SpA Via Lea Giaccaglia, 5 - 47924 Rimini (RN) - Italia  
 Tel. + 39 0541 397811 - Fax + 39 0541 384491  
 www.gsrspa.it e-mail: sales@gsrspa.it

Company with Quality Management System certified by DNV - ISO 9001:2008

Dealer